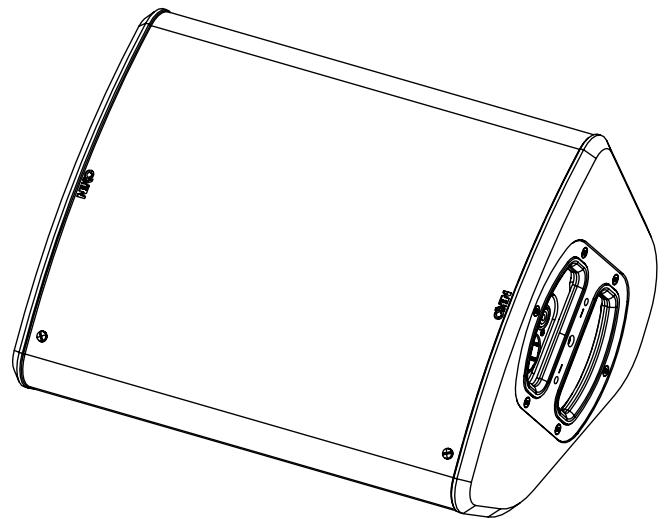
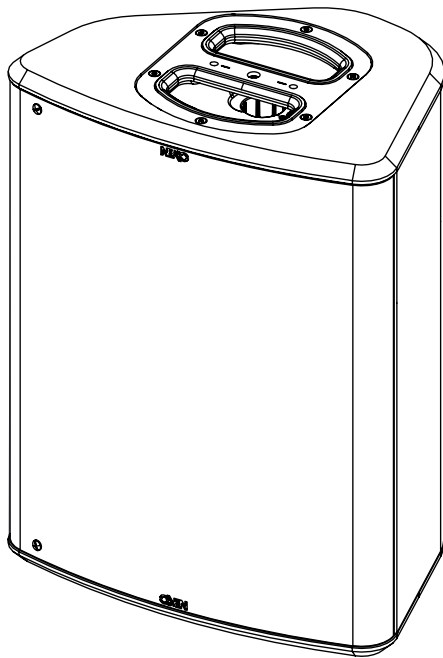


## P10



User manual



**TABLE OF CONTENTS**

TABLE OF CONTENTS \_\_\_\_\_ 2

WARNINGS \_\_\_\_\_ 3

EQUIPMENT \_\_\_\_\_ 4

DESCRIPTION \_\_\_\_\_ 6

PRESET \_\_\_\_\_ 7

HF DIRECTIVITY \_\_\_\_\_ 9

CROSSOVER FREQUENCY \_\_\_\_\_ 9

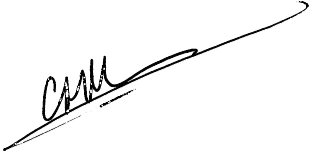
ACCESSORIES \_\_\_\_\_ 10

ARRAY EQ \_\_\_\_\_ 12

MAINTENANCE \_\_\_\_\_ 13

TECHNICAL SPECIFICATIONS \_\_\_\_\_ 15

USER NOTES \_\_\_\_\_ 16

EU Conformity declaration	
	We, <b>NEXO SA</b>
	<b>ZA DU PRE DE LA DAME JEANNE</b>
	<b>60128 PLAILLY – France</b>
Declare under our sole responsibility that the product	<b>Loudspeaker</b>
Type	<b>P10</b>
Serial number	<b>On the product</b>
Is in conformity with the provisions of the following directive including all applicable amendments:	<b>2014/35/UE (Low Voltage Directive)</b>
Applied rules and standards:	<b>EN 13155, EN 62368</b>
Plailly, January 6 <sup>th</sup> , 2020	<b>Joseph CARCOPINO, R&amp;D Director</b>
	

**WARNINGS**

**PRECAUTIONS**

Do not open the speaker, do not try to disassemble it neither to modify it in any way. The system doesn't include any user-repairable part.

If the system seems to be malfunctioning or damaged, stop using it at once and have it repaired by a NEXO qualified technician.

Do not expose the system directly to the sun or to the rain, do not immerse it into fluids, do not place objects filled with liquid on the system. If a liquid gets into the system, please have it inspected by a NEXO qualified technician.

The connection should be performed by qualified technician, by ensuring that power is off.

Operating temperature with temperate climate: 0°C to +40°C (+32°F to +104); -20°C à +60°C (-4°F to +140°F) for storage.

**SAFETY INFORMATIONS**

Read this manual before using the speaker.

Keep this manual available for further reference.

Observe all warnings and cautions.

Please check the NEXO Web site [nexo-sa.com](http://nexo-sa.com) to get the most up-to-date version of this manual.

Ensure you are aware of the safety rules applying to rigging, stacking or installing on tripod or speaker stand. Failure to observe these rules may expose persons to potential wounds or even death.

Only use the system with accessories specified by NEXO.

Please always consult a NEXO-accredited technician if the installation needs architectural works and observe following precautions:

**Mounting Precautions:**

- Please select screws and mounting location supporting 4 times the system weight.
- Do not expose the system to excessive dust, vibrations, to extreme cold or hot temperatures, to reduce the risk of damaging components.
- Do not place the system in an unstable position: it could fall accidentally.
- If the system is used on a tripod, please ensure the tripod's specifications are adapted and that its height does not exceed 1.40m/55". Do not move the tripod with the system in position.

**Connection and Powering Precautions:**

- Unplug connected cables before moving the system.
- Power off the system before connecting the system.
- When switching on the installation, the amplifier must be powered last; when switching the installation off, shut off the amplifier first.
- If you work by cold temperatures, progressively raise the level to nominal value during the first minutes of use, to allow the system components to stabilize.

Please check regularly the system condition.

**HIGH SOUND PRESSURE LEVELS**

Exposure to very high sound pressure levels may cause permanent hearing losses. Degrees of hearing losses may be different from one person to another, but almost everybody will be affected if exposed to high sound pressure levels during a long period of time. The OSHA (Occupational Safety and Health Administration) American Agency specified the following maximal exposures:

Number of Hours	Sound Pressure Level (dBA), Slow Response
8	90
6	92
4	95
3	97
2	100
1 ½	102
1	105
½	110
¼ or less	115

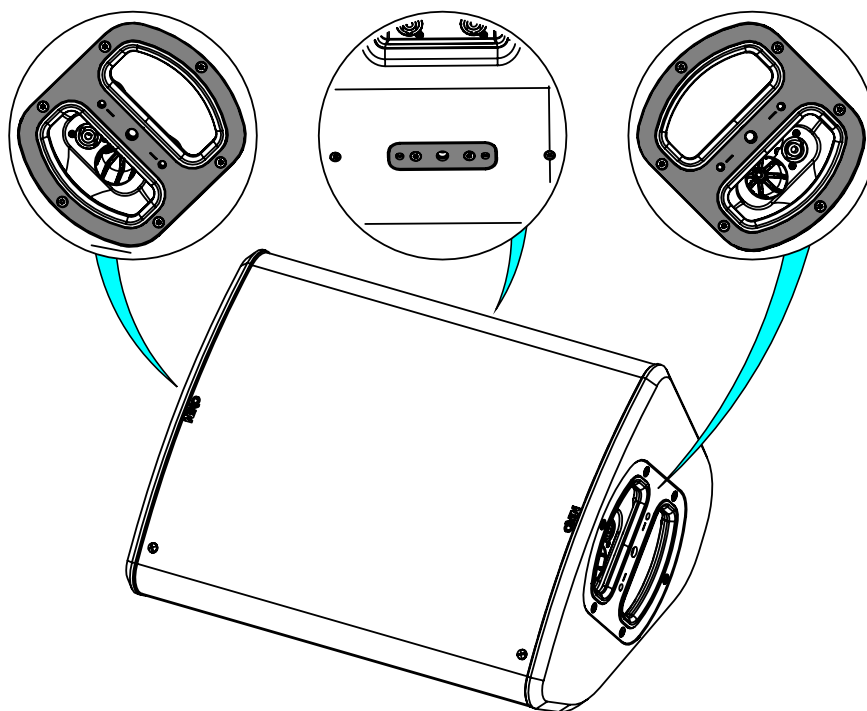
**WASTE OF ELECTRIC OR ELECTRONIC EQUIPMENT**



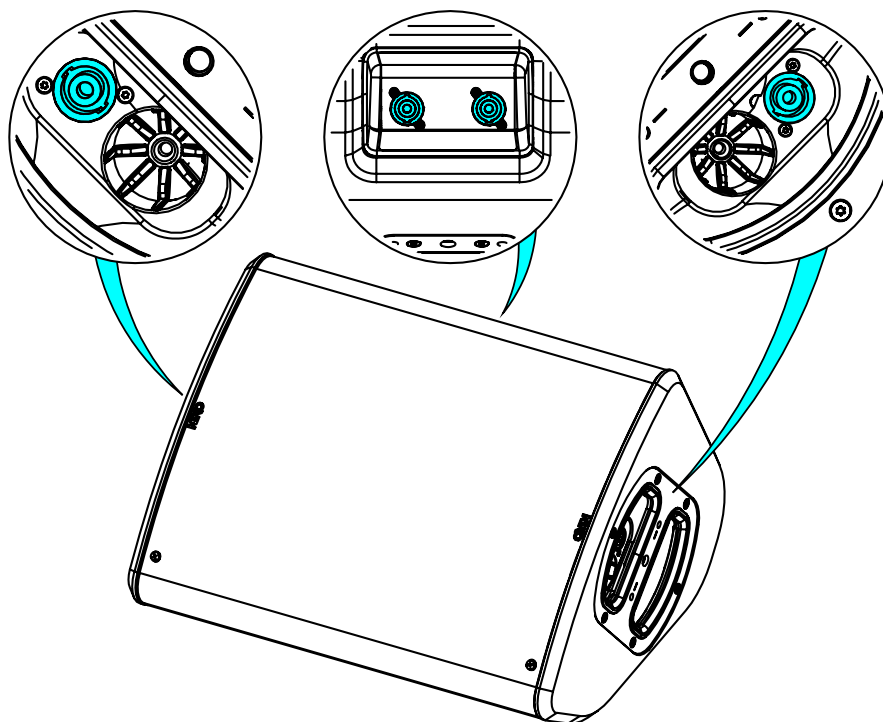
This symbol on the product or its packaging indicates that this product must not be treated as household waste. Instead, it is your responsibility to hand it over to a designated collection point for the recycling of waste electrical and electronic equipment. By ensuring your waste equipment is recycled, you will help prevent potential negative consequences for the environment and human health, which could appear if this product was not recycled. Recycling helps spare natural resources. For more information about the recycling of this product, please contact your local city office, your household waste disposal service or your reseller.

**EQUIPMENT**

3 locations for rigging accessories, 1 at the back and one per side. On both sides, you'll find a print for speaker stand.



3 locations for connecting, one at the back and one per side.

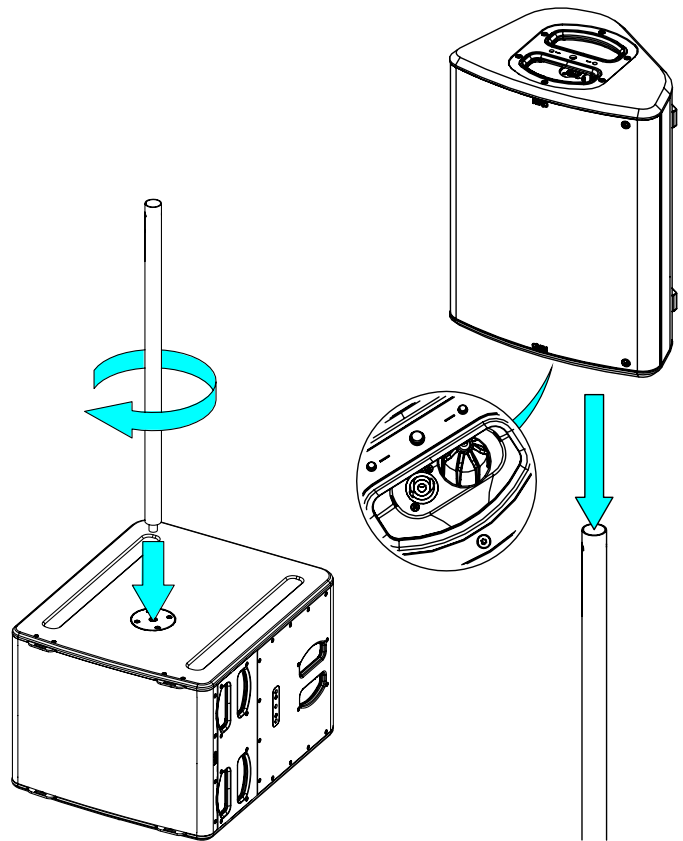


**Assembly with pole stand or speaker stand**

Fix the pole stand on the connector plate (M20) of the Sub.  
Mount P10 on the pole stand / speaker stand (diameter of 35mm),

**IMPORTANT**

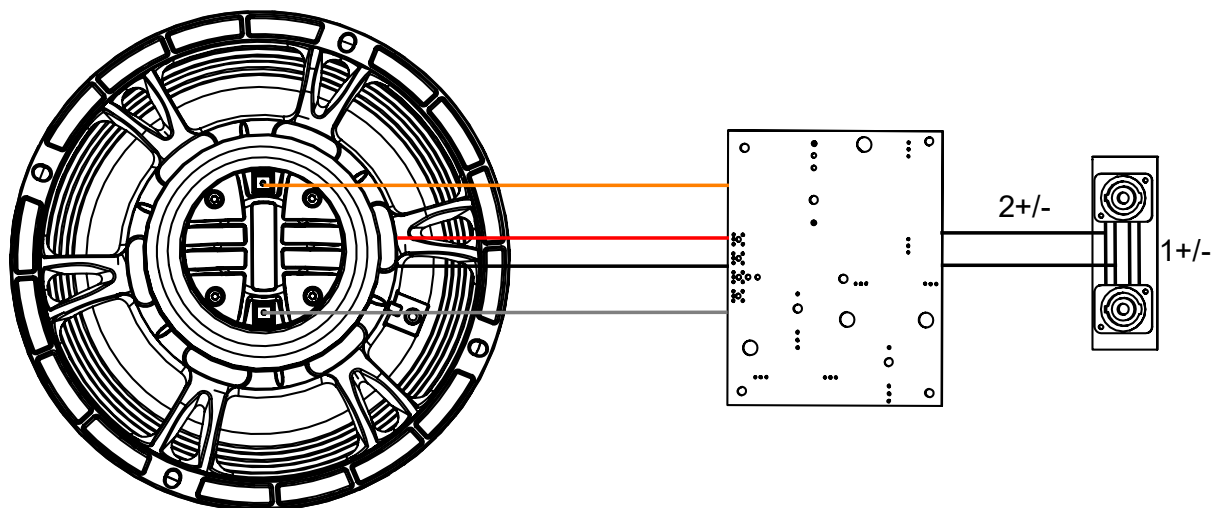
Speaker stand must be rated for P10 weight.  
Speaker stand must always be installed on a horizontal surface.  
Stand height and footprint must be defined to prevent assembly from collapsing.  
Ensure that audience is not allowed within a safety area which radius is equal or higher than assembly height.  
Test steadiness of the assembly by pushing in all directions.



## DESCRIPTION

### DESCRIPTION

- The P10 is a compact full-range coaxial speaker
- P10 HF Dispersion:
  - 100° – 100° with standard horn
  - 110° – 60° with PNT-P10FLG11060
- P10 can be used alone or with L15 subwoofer
- The speaker is equipped with four Speakon NL4 connectors with parallel-wired pins, one on each side and two at the back. P10 use 2+/- . The 1+/- pins are used by the sub.



- Amplification
  - The P10 speakers must be used with a NEXO processor to handle EQ, phase alignment, crossover and excursion/thermal protection for the system loudspeaker.
  - The following table shows the number of P10 speakers and L15 subwoofers usable with each solution.

	DTD + DTDAMP4X1.3	NXAMP4X1mk2	NXAMP4X2mk2	NXAMP4X4mk2
P10	Up to 2 per channel	1 per channel	Up to 4 per channel	Up to 4 per channel
L15	1 per channel	1 per channel	Up to 2 per channel	Up to 2 per channel

**PRESET**

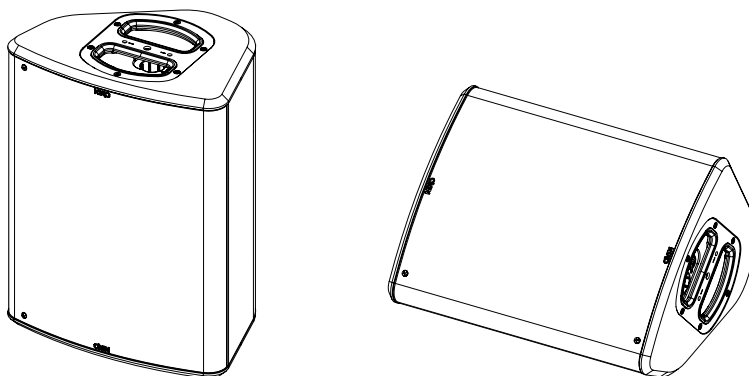
Please consult [nexo-sa.com](http://nexo-sa.com) for NEXO TD Controllers firmware information.

For the P10, the following setups are available:

- MAIN is the recommended setup for most FOH application.
- MONITOR is recommended for monitor applications. Warning: this setup is a low latency setup and therefore its phase is not compatible with other NEXO cabinets, including subs.

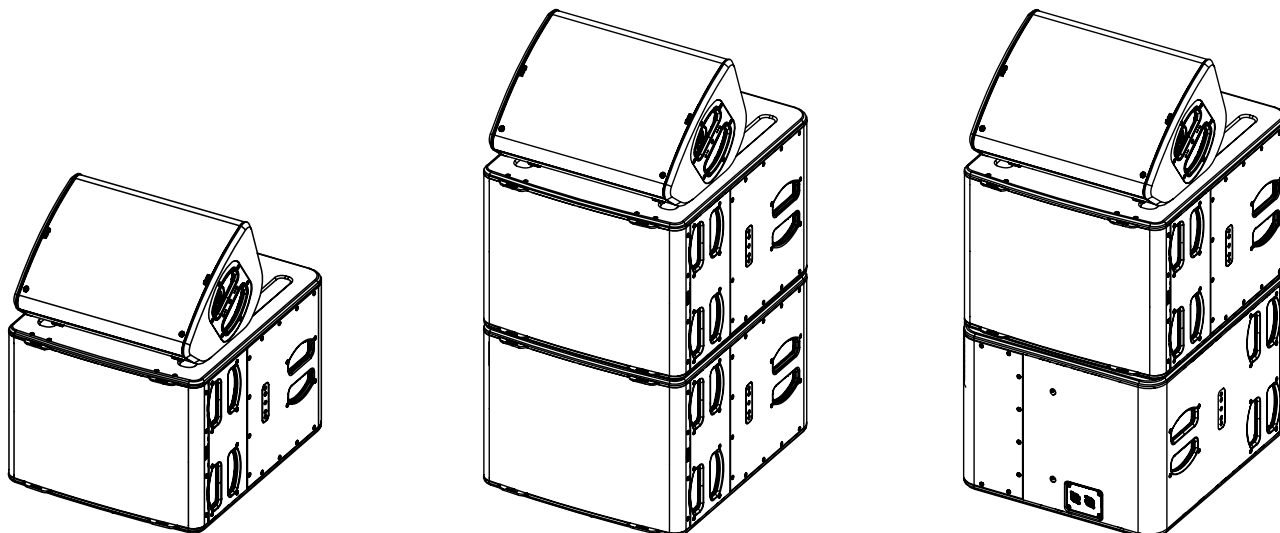
Preset

- P10 MON PA 100100, with high-pass at 63 or 85 Hz.
- P10 MON PA 11060, with high-pass at 63 or 85 Hz.
  
- P10 MAIN PA 100100, with high-pass at 63 or 85 Hz.
- P10 MAIN PA 11060, with high-pass at 63 or 85 Hz.

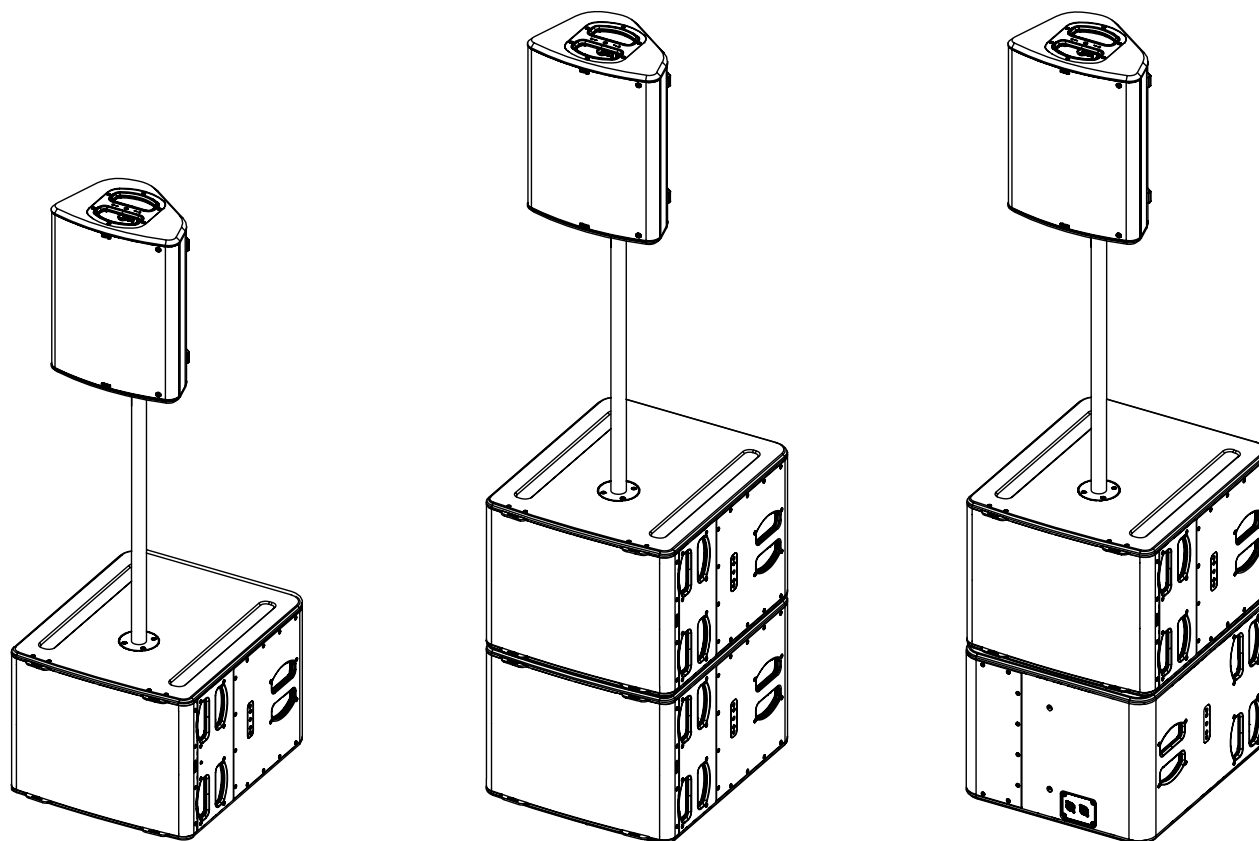
**P10**

Front of house and stage monitor applications

P10 + Sub



Stage monitor applications with Subs (OMNI or CARDIO modes)

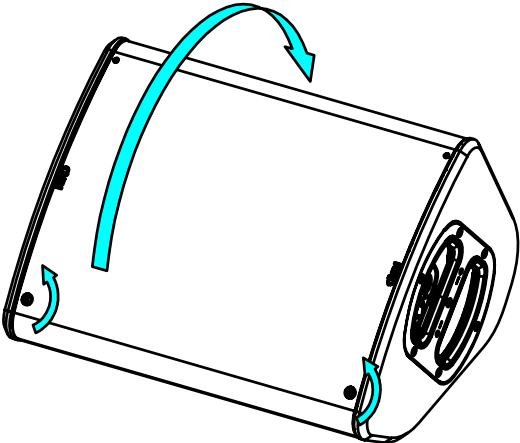
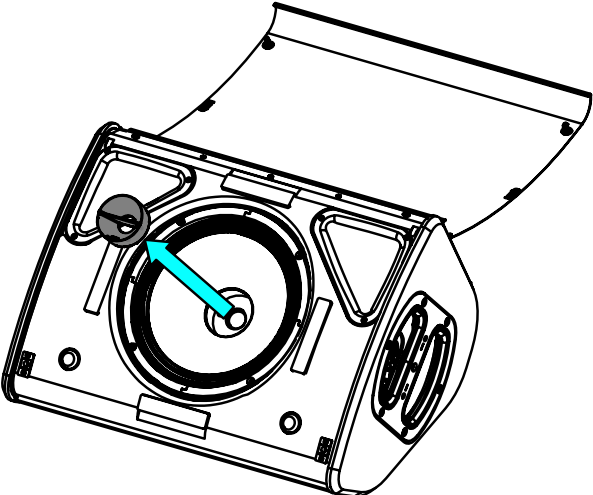
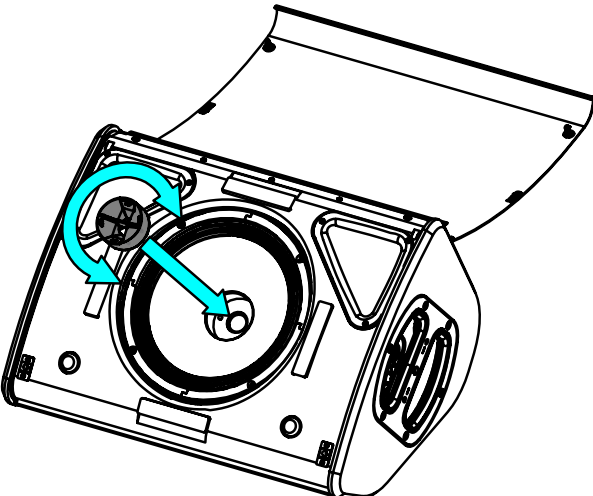
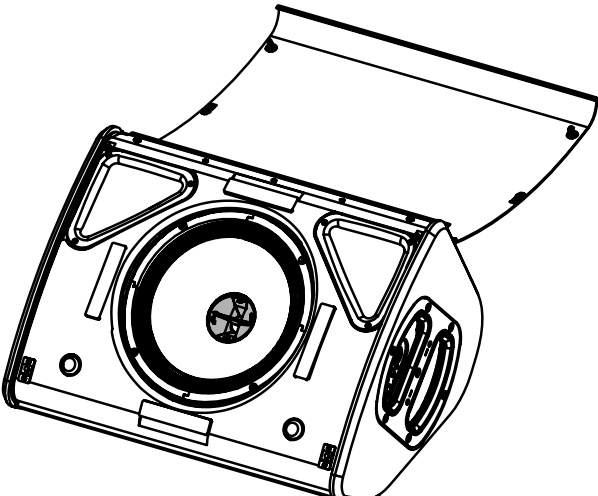


Front of house applications with Subs (OMNI or CARDIO modes)



## HF DIRECTIVITY

- The P10 speaker can be used in horizontal or vertical position.
- The standard horn is a 100° - 100° HF dispersion. It's easy to change the HF dispersion by changing the horn. Different mounting possibilities and horn rotation allow to deal with every request.

<b>1</b> Unlock the 2 quarter-turn screws, Remove the grille.	<b>2</b> Remove the horn to place the PNT-P10FLG11060.
	
<b>3</b> If it necessary, rotate it.	<b>4</b> Magnets keep the horn in place.
	

When replacing the grille, ensure it is well positioned in the top blade before fasten with quarter-turn screws.

## CROSSOVER FREQUENCY

- 63 Hz: Full range application.
- 85 Hz: Use as « front fill » on stage, complementing a main system. Use with a NEXO subwoofer, e.g. L15.

**WARNINGS**

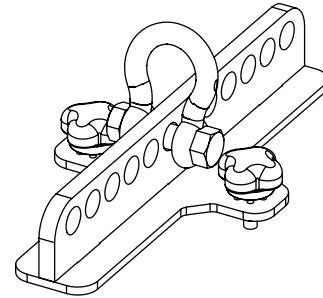
All P10 accessories are specifically rated in agreement with structural computations.

Never use other accessories – including push-pins – when assembling P10 cabinets than the ones provided by NEXO: NEXO will decline responsibility over the entire P10 accessory range if any component is purchased from different supplier.

**PROHIBITED: P10 below P10 or P10 below L15 without dedicated accessory**

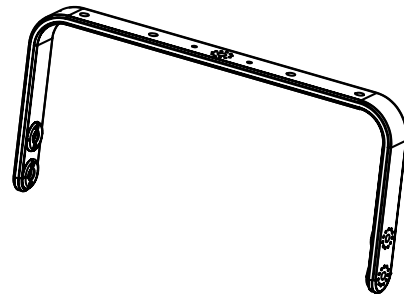
**PNT-BUMP**

LiftBar for PLUS serie2, use with P10, WMADAPT.



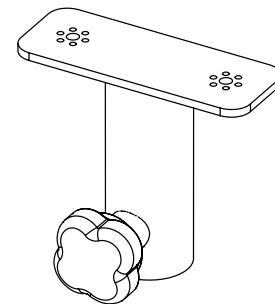
**PNT-HBRK10**

Horizontal Cradle, use with CLADAPT, PLADAPT.



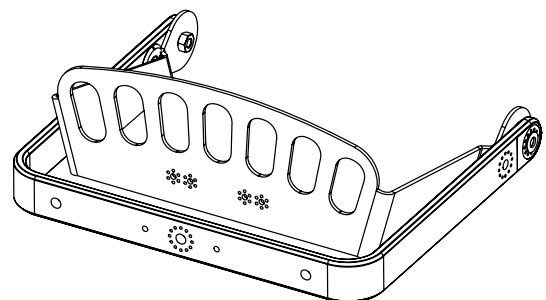
**PNT-PLADAPT**

Pole Adapter, use with P10, HBRK10, VBRK10.



**PNT-VBRK10**

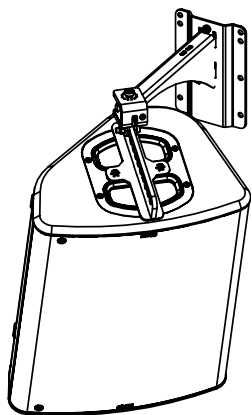
Vertical Cradle, use with CLADAPT, PLADAPT



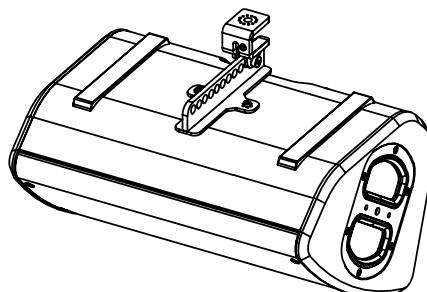
**PNT-WMADAPT**



**With PNI-WMxxx & PNT-BUMP**

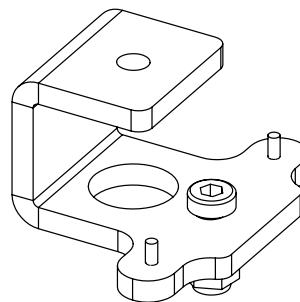


**With PNT-BUMP**



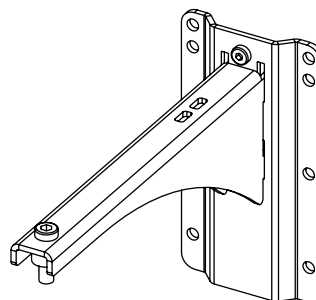
**PNI-CLADAPT**

Ceiling Adapter, use with HBRK10, VBRK10.



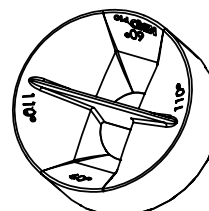
**PNI-WM280**

Wallmount for P10, with WMADAPT



**PNT-P10FLG11060**

HF Dispersion Horn 110° - 60°

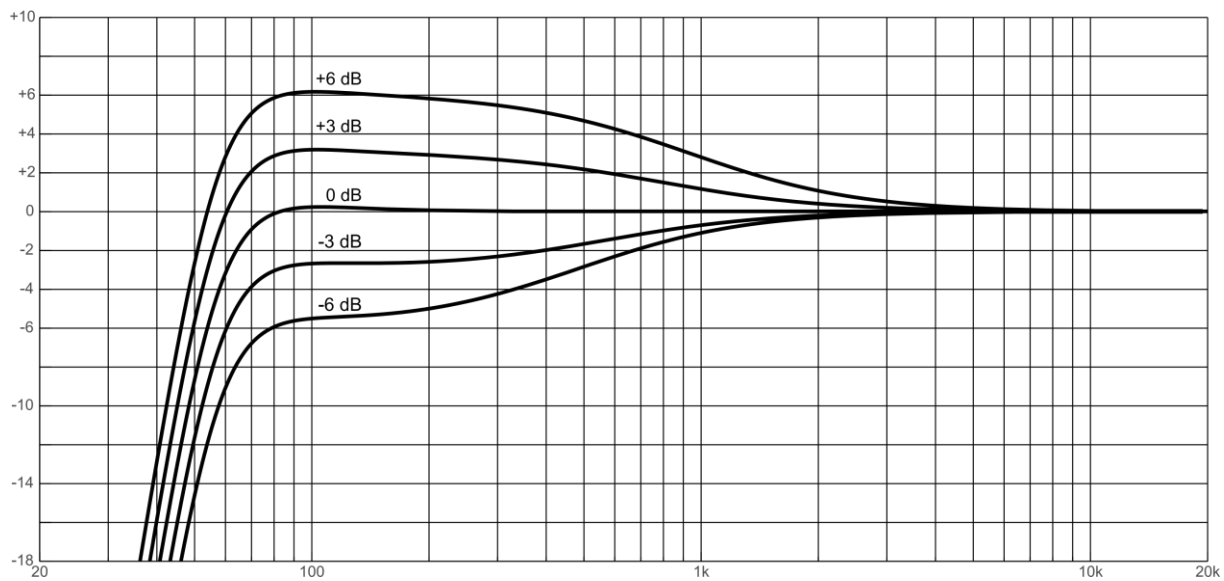


**PNT-2CASE10: FLIGHT CASE FOR 2X P10**

**PNT-ACC10: FLIGHT CASE FOR P10 ACCESSORIES**

**PNT-COV10: COVER FOR P10**

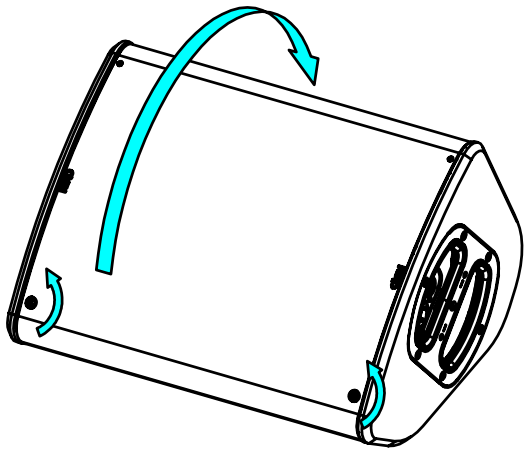
The ArrayEQ allows to adjust the system frequency response in its lower range  
(see curves below, with different ArrayEq values):



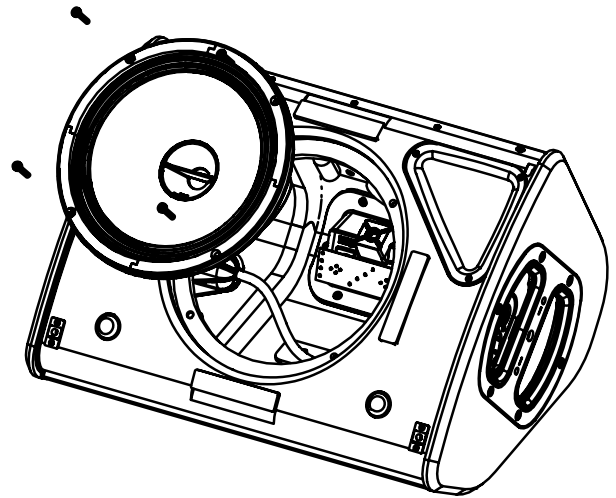
**MAINTENANCE**

**Driver access**

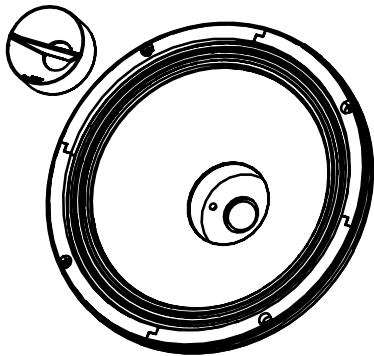
**1** Unlock the 2 quarter-turn screws, Remove the grille.



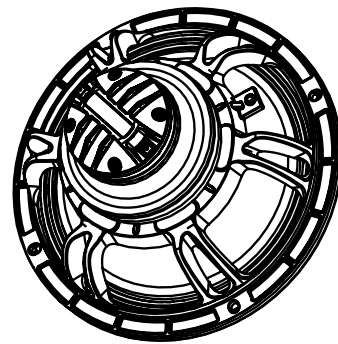
**2** Remove 4 screws.



**3** Remove the horn.

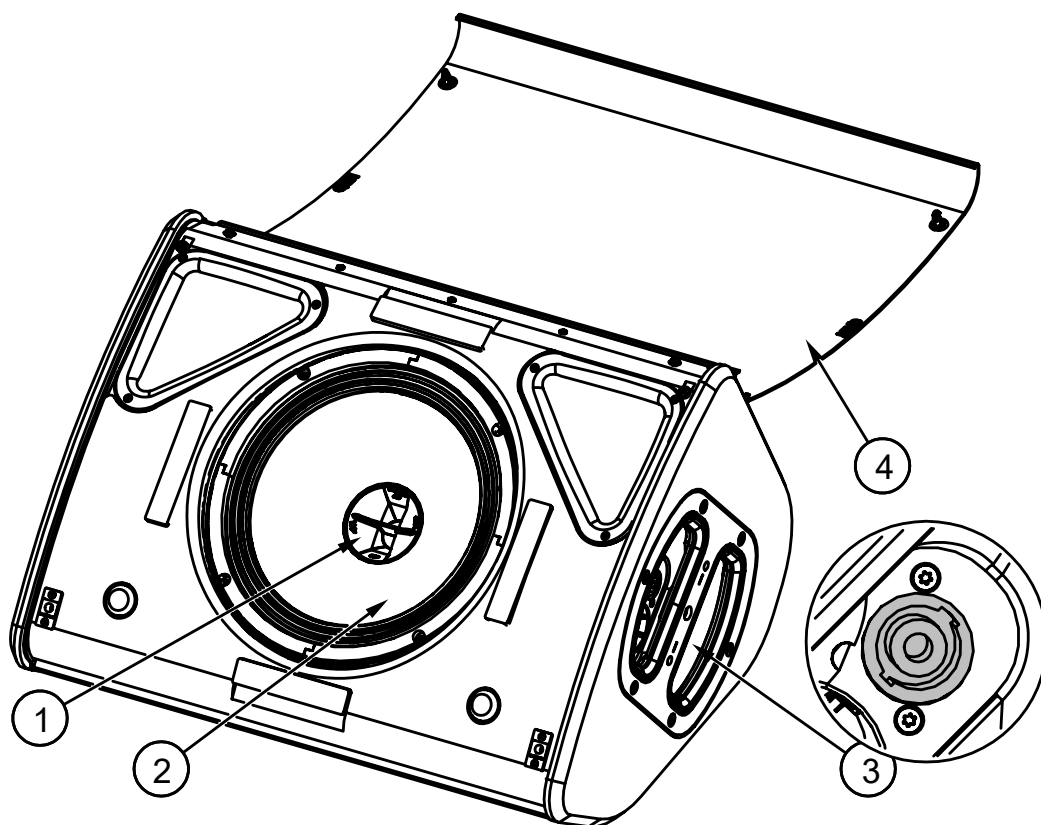


**4** To access to the HF diaphragm, remove 4 screws.



# MAINTENANCE

## Spare parts



MARK	QUANTITY	REFERENCE	DESIGNATION
1	1	05PAVBP10	HORN 100°-100°
	1	05PAVBP10-110-60	HORN 110°-60°
2	1	05HPC10	P10 driver complete (with screws)
	1	05HPC10R/K	Recone Kit 10" (with screws)
	1	05NHP10R/K	HF diaphragm (with screws)
3	2	05SPK01	Speakon NL4 complete (with screws)
4	1	05P10UA	Complete grille Touring Black (with fasteners)
	1	05P10UA-PW	Complete grille Touring White (with fasteners)

**TECHNICAL SPECIFICATIONS**

**P10 WITH NEXO ELECTRONICS**

Model	P10
Frequency range ( $\pm 6\text{dB}$ )	63 Hz – 20 kHz
Peak SPL Level (1m)	136dB Peak
Operating voltage	50Vrms (150Vpeak)
HF dispersion (according to horns)	100°x100° (Default) - 110°x60° (Optional)
Crossover Frequency	63Hz – 85 Hz
Nominal Impedance	8 $\Omega$

**SPECIFICATIONS**

Model	P10
Components	1 x Coaxial Neodymium LF 10" - 8 $\Omega$ long excursion & HF 1.7" - 8 $\Omega$
Material	Custom made bent plywood of Baltic birch and poplar
Finish	Black or white structural paint
Front finish	Magnelis® steel front grille + Back mesh
Fittings	Handle on both sides Threated inserts on the back and on both sides for connection of mounting accessories Stand fitting on both sides (35mm / 1"3/8)
Connector	4x NL4, 4 poles connectors; 2 at the back and one on each side
Weight	15 kg / 33 lb
Dimensions	<p>Technical drawings of the P10 speaker showing front, side, and top views with dimensions. Front view: width 384, height 15.1. Side view: depth 280, height 49.6. Top view: width 309, height 12.2. Bottom view shows horn angles of 15° and 55°.</p>







**NEXO S.A.**

Parc d'activité de la Dame Jeanne  
F-60128 PLAILLY

Tel: +33 3 44 99 00 70  
Fax: +33 3 44 99 00 30  
E-mail: [info@nexo.fr](mailto:info@nexo.fr)

[nexo-sa.com](http://nexo-sa.com)

