

Astra Beam260IP

The universal moving beam,
whatever the application



Astra Beam260IP

IP65 moving beam light with a 260W PRO long life lamp (6.000 hours)

ORDER CODE: **ASTRABEAM260IP**




OSRAM
260W PRO
OSRAM SIRIUS
HRI Lamp



Motorised
focus


One colour
wheel
with 13 filters


Two CTO filters on
colour wheel
(2.500 K and 3.200 K)


One CTB filter
on colour wheel
(10.000 K)


One static
gobo wheel
with 15 images


8f circular and 6f
linear indexable
prisms


16-bit control:
Pan, Tilt,
Dimmer, Focus


RDM - DMX -
WDMX - SACN
ART-NET


New IP65 body
elements proof
(water & dust)

Astra Beam260IP is a compact outdoor IP65 beam moving head with a long lamp life source, engineered to produce a sharp and parallel beam of light with a boosted light output, thanks to its brand new Osram 260 W PRO arc lamp.

Astra Beam260IP is smaller, brighter and faster than any other IP pure beamlight on the market, and when compared to indoor alternatives it requires less maintenance time and extra costs, due to the sealed housing and outstanding long lamp life (6.000 hours). In addition, with its compact size and at an attractive price point, this luminaire is ideal even for indoor applications.

TECHNICAL SPECIFICATION

LIGHT SOURCE

- Source: 260W PRO OSRAM SIRIUS HRI Lamp
- CCT: 7.800K
- Lux: 1'984'000lx @5 m
- Source life expectancy: 6.000 h

OPTICS

- Beam angle: 2°
- Lens diameter: 140 mm
- Lens type: HD anti-reflection lenses with achromatic coating
- Focus: motorised

COLOUR SYSTEM

- CCT: on wheel 2.500 K and 3.200 K + CTB
- Colour wheel: 10 colour filters

DYNAMIC EFFECTS

- Control Resolution: 16-bit dimmer
- Fixed gobos: 15 fixed gobos + open
- FX generator: 2 prisms overlap for spectacular aerial effects
- Circular prism: 8f with bi-directional rotation, indexing
- Linear prism: 6f with bi-directional rotation, indexing
- Frost: linear 0 - 100% frost filter

BODY

- Hardware on-board: sockets for quick-Lock Omega bracket (clamp not included)
- Pan angle: 540°
- Tilt angle: 230°
- Pan/Tilt resolution: 16bit
- Feedback: automatic repositioning after accidental movement
- Body: weatherproof IP65 construction
- Body colour: RAL 9004

CONTROL

- Protocols: DMX512, RDM, Art-Net, sACN, W-DMX
- DMX channels: 17 channel
- W-DMX: included, Wireless Solution transceiver
- RDM: RDM for remote monitoring and settings
- Display: LCD high resolution colour display with autoflip
- Firmware upgrade: via menu with internal memory or via USB - DMX interface (UPBOX2) not included

ELECTRONICS

- Dimmer: linear 0 ~ 100% mechanical dimmer
- Strobe / shutter: 1 - 28 flash(s), mechanical
- Display battery: self-charging battery backup
- Operating temperature: -20° ~ +40°

ELECTRICAL

- Mains power supply: 100-240V - 50/60Hz
- Max power consumption: 405W
- Power factor: 0,96

PHYSICAL

- IP rating: 65 for temporary outdoor application, not for fixed installation
- Cooling: forced air with fan
- Suspension and fixing: any position with quick-lock omega brackets
- Signal connection: Seetronic XLR 5p IN/OUT connectors
- Power connection: Seetronic powerCON TRUE IP65 IN
- Dimensions (WxHxD): 385x603x271mm
- Weight: 28,6kg

Astra Beam260IP

A new generation of source and optics

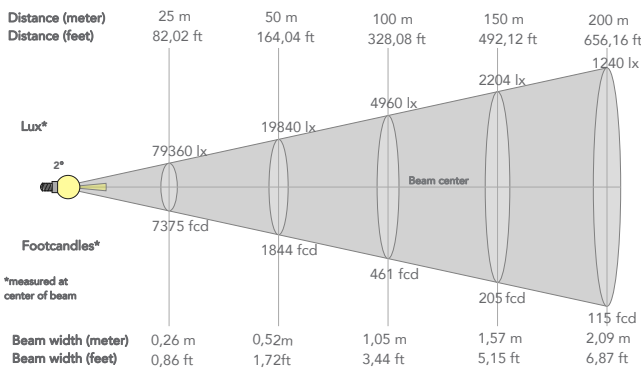
Astra Beam260IP

PHOTOMETRICS

PRESET NATIVE FULL ON

Beam angle 50%: 2°

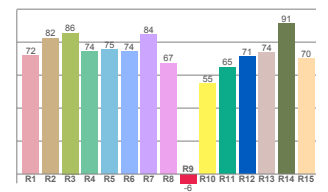
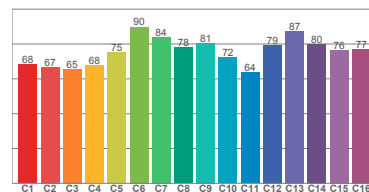
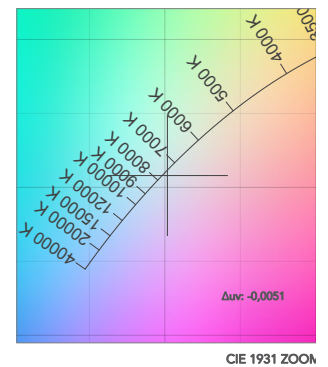
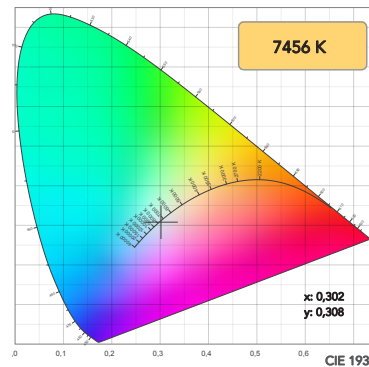
| Beam angle 50% | Field angle 10% | Cut off angle 2,5% | Intensity ratio in 120° cone | Intensity ratio in 90° cone |
|----------------|-----------------|--------------------|------------------------------|-----------------------------|
| 0,6° | 1,4° | 1,9° | 67,0% | 54,4% |



BEAM INTENSITIES AND WIDTHS

| Full On (Open) | 10 | 20 | 30 | 40 | 50 | 60 | 70 | 80 | 90 | 100 |
|----------------|--------|--------|-------|--------|--------|--------|--------|--------|--------|--------|
| Distance (m) | 32.81 | 65.62 | 98.42 | 131.23 | 164.04 | 196.85 | 229.66 | 262.46 | 295.27 | 328.08 |
| Distance (ft) | 108 | 215 | 323 | 431 | 538 | 646 | 753 | 861 | 968 | 1076 |
| lux center | 496000 | 124000 | 55111 | 31000 | 19840 | 13778 | 10122 | 7750 | 6123 | 4960 |
| Foot candles | 46097 | 11524 | 5122 | 2881 | 1844 | 1280 | 941 | 720 | 569 | 461 |
| Diameter cm | 35 | 70 | 105 | 140 | 175 | 209 | 244 | 279 | 314 | 349 |
| Diameter ft | 1.15 | 2.29 | 3.44 | 4.58 | 5.73 | 6.87 | 8.02 | 9.16 | 10.31 | 11.45 |

COLOUR DETAILS



BEAM DETAILS

ALL COLOUR PRESETS

| Dark Red | 10 | 20 | 30 | 40 | 50 | 60 | 70 | 80 | 90 | 100 |
|---------------|-------|-------|-------|--------|--------|--------|--------|--------|--------|--------|
| Distance (m) | 32.81 | 65.62 | 98.42 | 131.23 | 164.04 | 196.85 | 229.66 | 262.46 | 295.27 | 328.08 |
| Distance (ft) | 108 | 215 | 323 | 431 | 538 | 646 | 753 | 861 | 968 | 1076 |
| lux center | 11780 | 2945 | 1309 | 736 | 471 | 327 | 240 | 184 | 145 | 118 |
| Foot candles | 1095 | 274 | 122 | 68 | 44 | 30 | 22 | 17 | 14 | 11 |
| Diameter cm | 35 | 70 | 105 | 140 | 175 | 209 | 244 | 279 | 314 | 349 |
| Diameter ft | 1.15 | 2.29 | 3.44 | 4.58 | 5.73 | 6.87 | 8.02 | 9.16 | 10.31 | 11.45 |

BEAM DETAILS

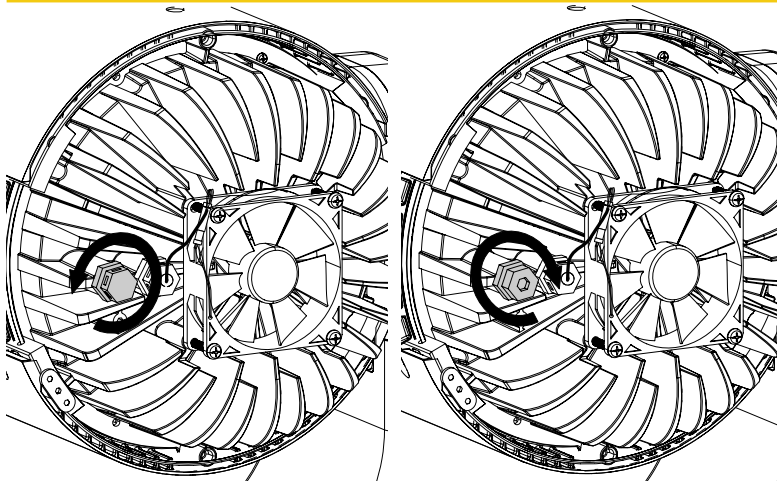
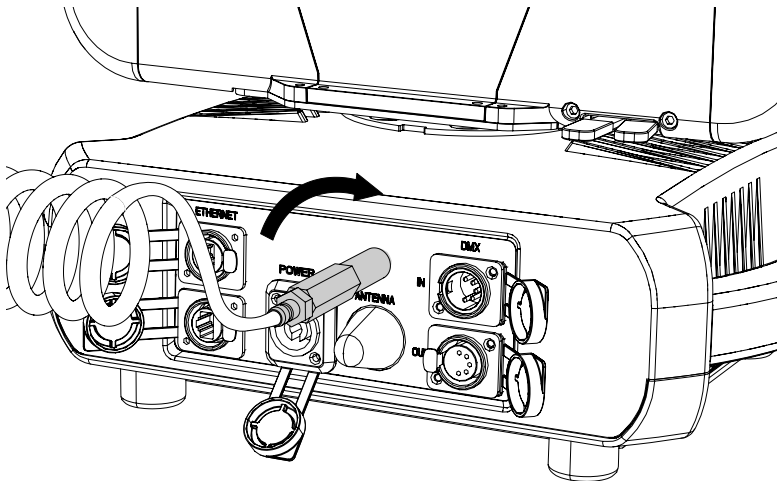
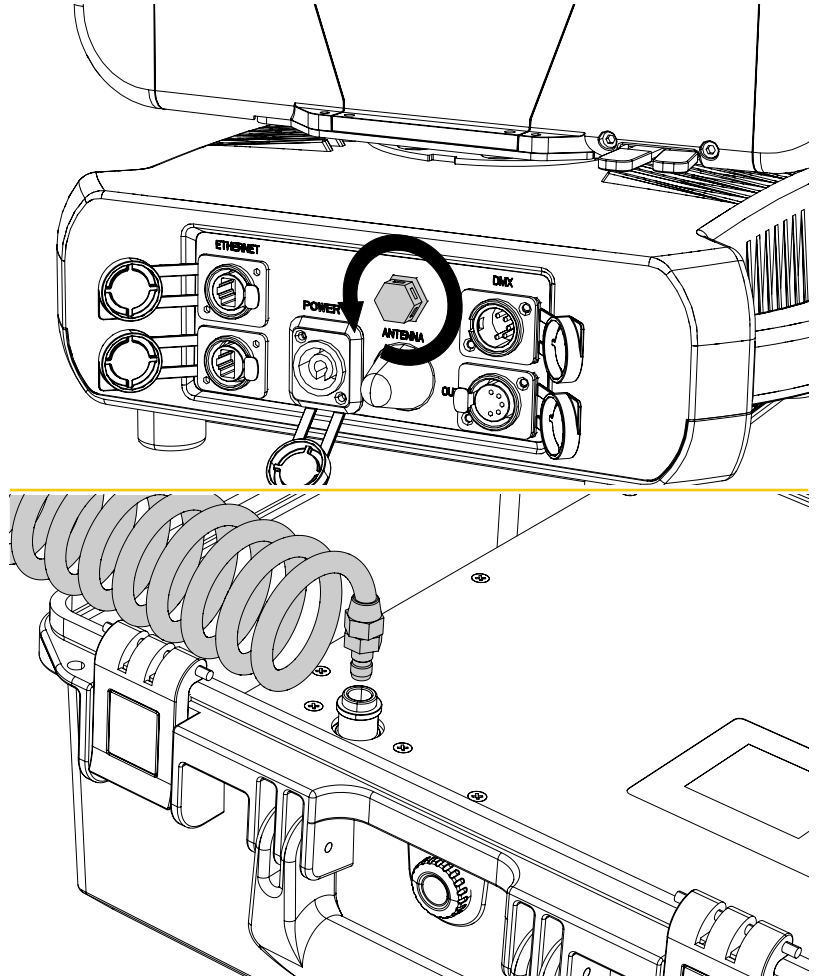
ALL COLOUR PRESETS

| Yellow | 10 | 20 | 30 | 40 | 50 | 60 | 70 | 80 | 90 | 100 |
|---------------|--------|-------|-------|--------|--------|--------|--------|--------|--------|--------|
| Distance (m) | 32.81 | 65.62 | 98.42 | 131.23 | 164.04 | 196.85 | 229.66 | 262.46 | 295.27 | 328.08 |
| Distance (ft) | 108 | 215 | 323 | 431 | 538 | 646 | 753 | 861 | 968 | 1076 |
| lux center | 263660 | 65915 | 29296 | 16479 | 10546 | 7324 | 5381 | 4120 | 3255 | 2637 |
| Foot candles | 24504 | 6126 | 2723 | 1531 | 980 | 681 | 500 | 383 | 303 | 245 |
| Diameter cm | 35 | 70 | 105 | 140 | 175 | 209 | 244 | 279 | 314 | 349 |
| Diameter ft | 1.15 | 2.29 | 3.44 | 4.58 | 5.73 | 6.87 | 8.02 | 9.16 | 10.31 | 11.45 |

Astra Beam260IP

THE NEW IP TEST BOX

PROLIGHTS has developed a portable IP tester which will be available for sale. This tool allows to test the IP rating after service for the Astra Beam260IP and any other future IP products.



You can run internal test programs for IP65 - IP66 - IP67 - IP68 . It tests both vacuum (sucking the air) and pressure (pushing air) over a certain duration according to the type of test chosen.

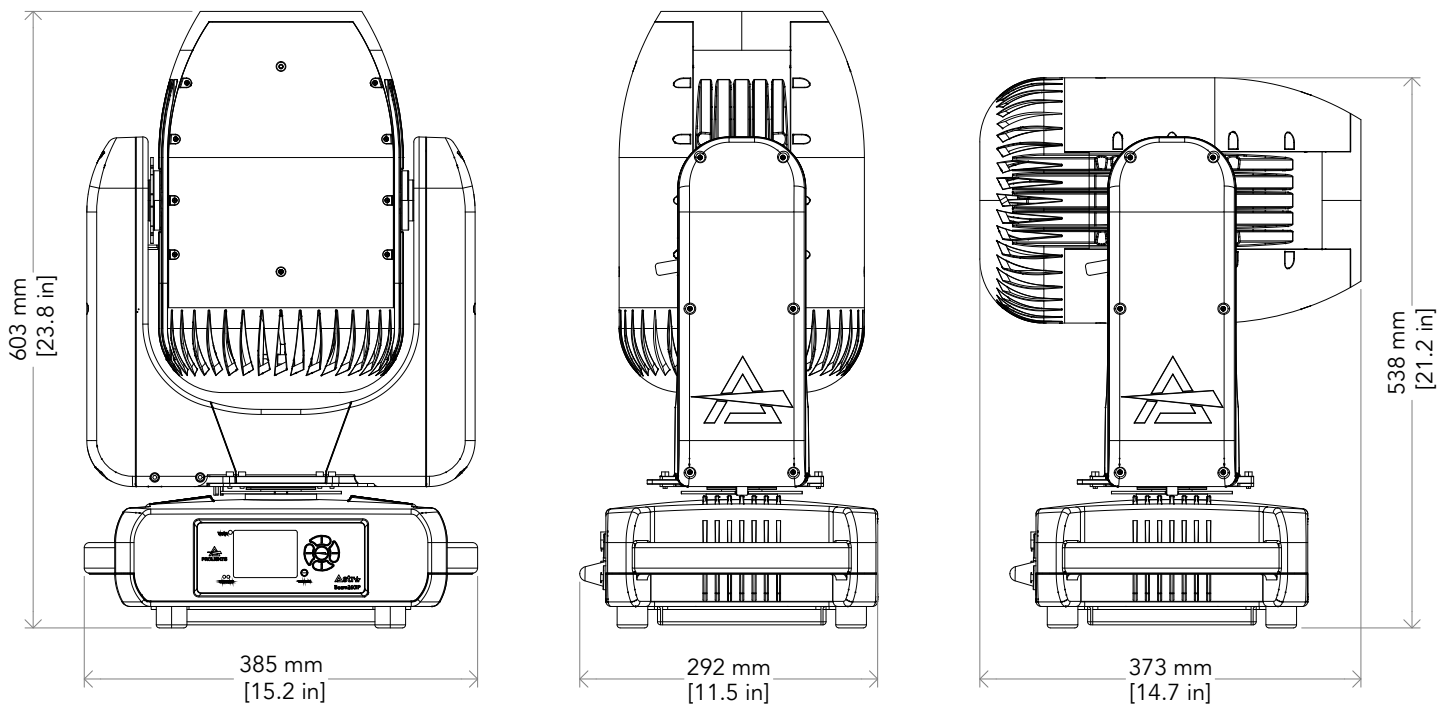
Astra Beam260IP

ACCESSORIES

- 9313FXWL03 Ass. 3x2.5mm TH07 cable, 16A 3p 230V CEE plug, SETSAC3FX socket, L.3 m
- 9333FXWL03 Ass. 3x2.5mm TH07 cable, SHUKO plug, SETSAC3FX socket, L.3m
- 938225L03 3x2.5mm TH07 Cable, 16A SETSAC3MX, 16A SETSAC3FX, L. 3m
- C6002B Slim aluminum clamp, 200kg loading, 48-51mm tubes, M10 bolt, Black
- FCLASTRAB260IP Flight case for 2 pcs of ASTRABEAM260IP
- INF53415L03 Dmx cable HC5340. SETMC5MXXB XLR 5p->SETMC5FXXB XLR (f) 5p L.3m
- RSR1235B Steel security cable for hanging bodies, inox steel shackle, L=120 cm, black
- WSBBF1G5 BlackBox F-1 G5 transmitter, 2,45GHz & 5.2/5,8 GHz, DMX/RDM, 512Ch
- WSBBF1G6 BlackBox F-1 G6 transrec, 512ch, 2.45GHz, DMX&RDM,Bluetooth,G3,G4,G4S, G5, CRMX
- WSBBR512G5 BlackBox R-512 G5 receiver 512Ch, 2.45GHz & 5.8GHz, DMX/RDM optional
- WSBBR512G6 BlackBox R-512 G6 receiver 512Ch, 2.45GHz,DMX&RDM,Bluetooth,G3,G4,G4S,G5,CRMX
- OSIP IP65 quick-lock omega bracket compatible with IP65 moving heads
- IPTESTBOX Portable vacuum and pressure tester for ProLights IP fixtures
- UPBOX2 Firmware uploader kit, USB IN, 3-pin XLR DMX OUT

Astra Beam260IP

TECHNICAL DRAWINGS



PACKAGE CONTENT

- 1 x ASTRABEAM260IP
- 1 x 1,5 meters power cable (SCHUKO plug - SEETRONIC IP65 power connector)
- 2 x OSIP
- 1 x Antenna
- User Manual

WEIGHT: 28,6 kg

Check the website for detailed specifications and tech documentations

